

Flat, Sticks, Top

VIBIA

Flat  
6

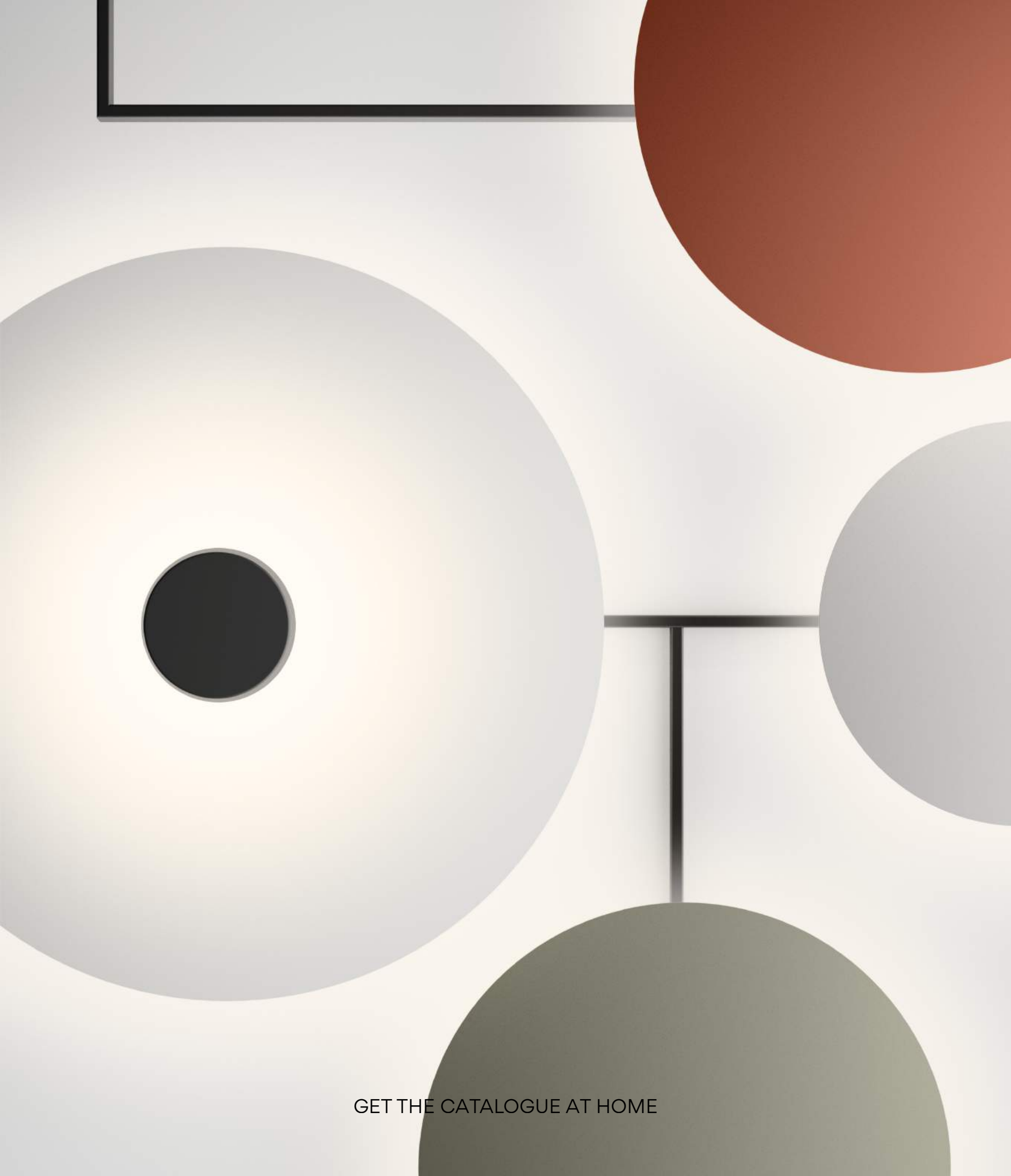
Sticks  
44

Top  
74

# Flat

Design by Ichiro Iwasaki.

Flat's distinctive, disc-shaped diffusers form horizontal planes of light that integrate with the surrounding architecture. A study in geometry, the collection creates layers of light that infuse a space with a soothing, Zen sensibility.



GET THE CATALOGUE AT HOME

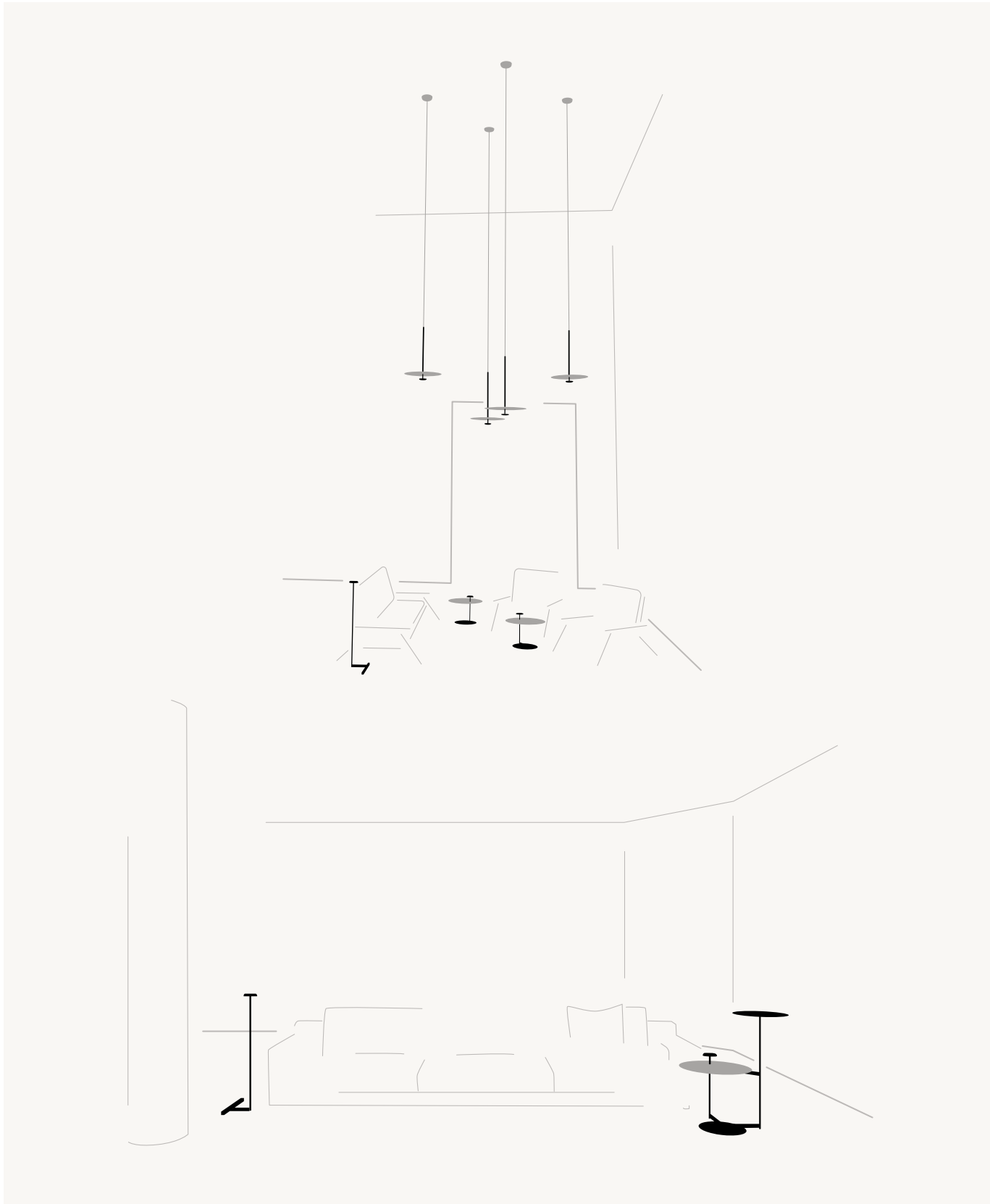














Ref. 5945  
One general on/off and dimming  
switch for both discs.



FLOOR

15



GET THE CATALOGUE AT HOME







The LED-powered collection features flat metal plates reflecting light off their surface, casting an enveloping, wraparound glow that appears illuminated from within. The floor lamp comes in small and large sizes, with a single or double plate - either a compact disc or a shelf-like plate that doubles as furniture. When deployed in pairs, the smaller, complementary disc captures and reflects light back at the larger plate, creating pockets of soft, pooled indirect light that illuminate both the space and the surface itself.

Ref. 5945, 5957.

- 13 Grey L1 (NCS S 1000-N)
- 47 Green L1 (NCS S 4005-G80Y)

Ref. 5950.

- 10 White (NCS S 0300-N)

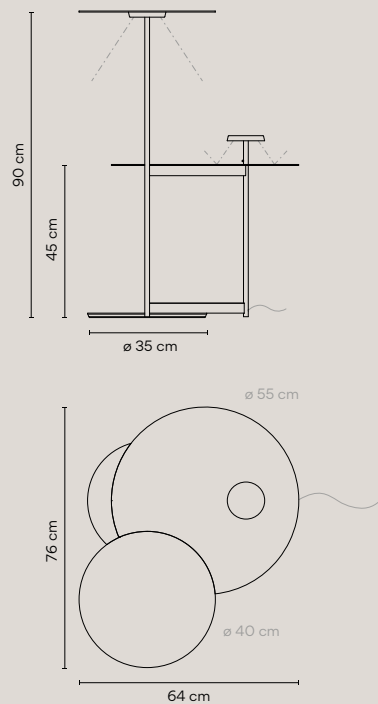
Ref. 5955.

- 11 Black (NCS S 8500-N)
- 37 Terra Red (NCS S 4040-Y70R)
- 47 Green L1 (NCS S 4005-G80Y)

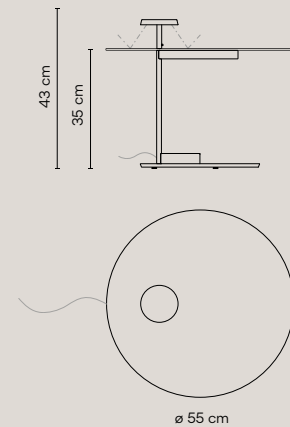
Shade: Aluminum.  
Diffuser: Polycarbonate.  
Structures: Steel.

LED 2700 K. CRI>90  
Dimming: Push.

Ref. 5945  
One general on/off and dimming switch for both discs.

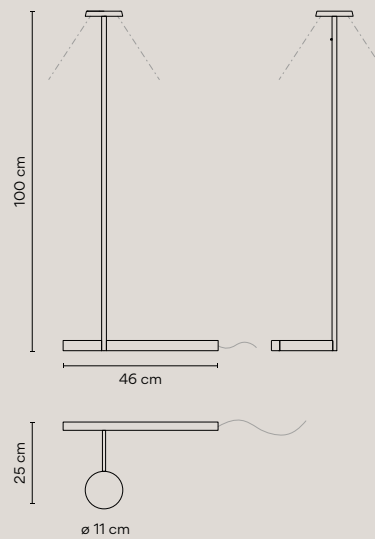


5945

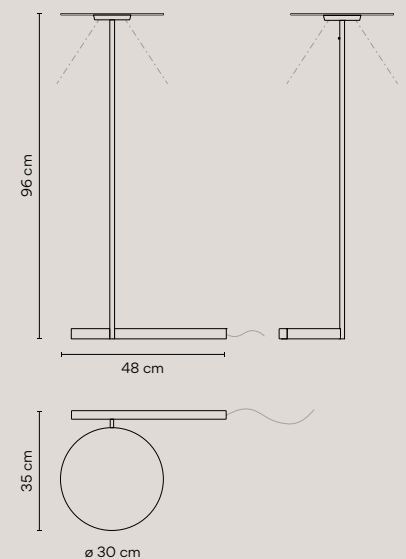


5950

**Personalization options available**  
- LED 4000 K  
Request more information.



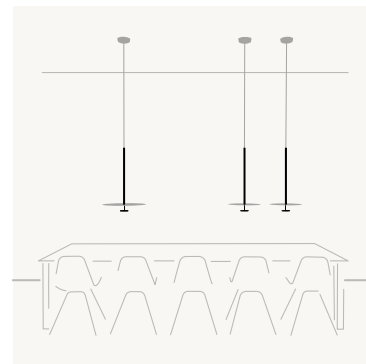
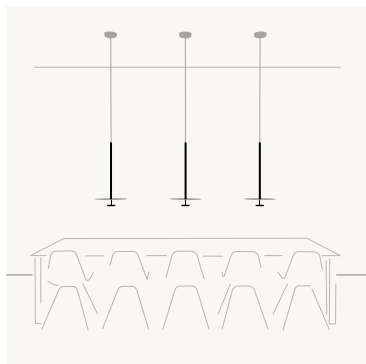
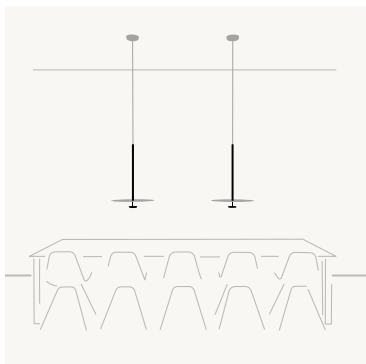
5955



5957









FLAT



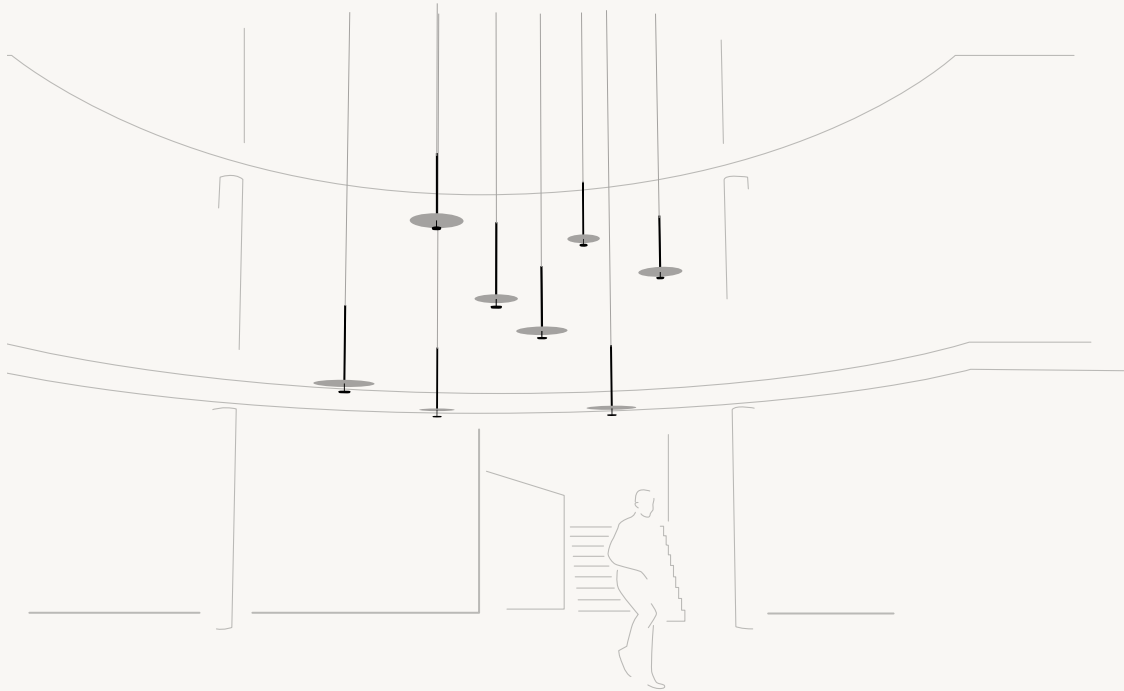
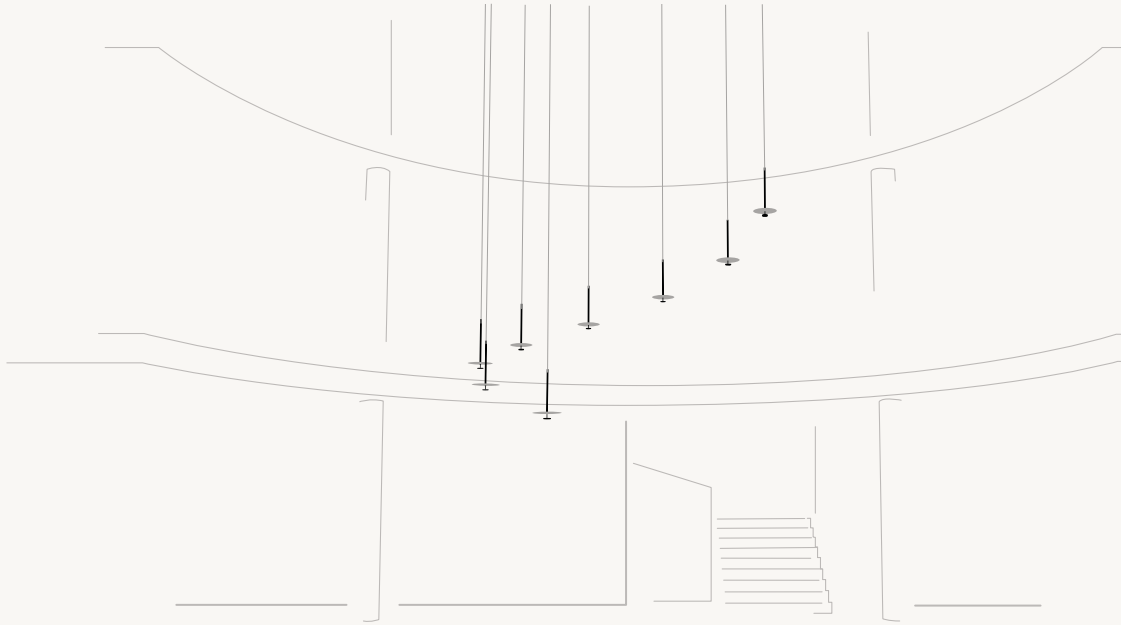
GET THE CATALOGUE AT HOME







5935 with remote driver - trimless







The collection features flat metal plates positioned at different heights. They reflect light from their surface, casting an enveloping, wraparound glow that appears illuminated from within. Suspended by a cable from the ceiling, the pendants are at once delicate and graphic, seeming to float overhead. A large, commercial size pendant with an arm to adjust the height is also available. The small disc reflects light back at the larger disc, creating a pocket of soft, pooled indirect light.

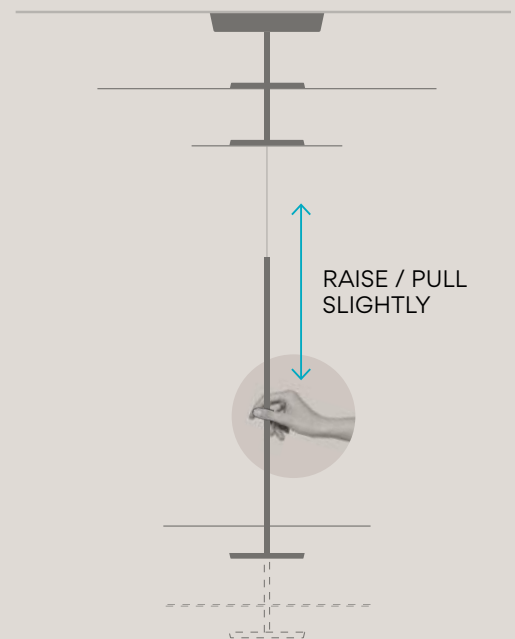
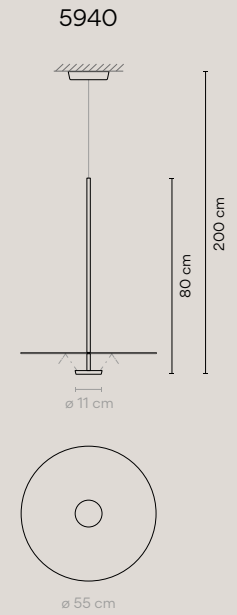
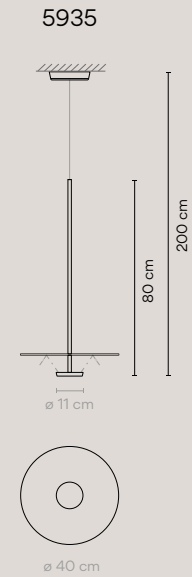
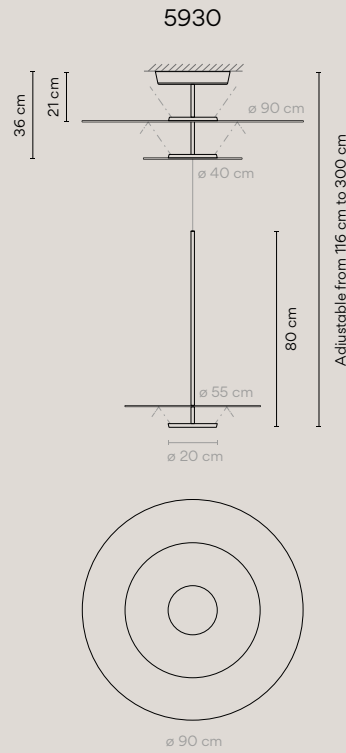
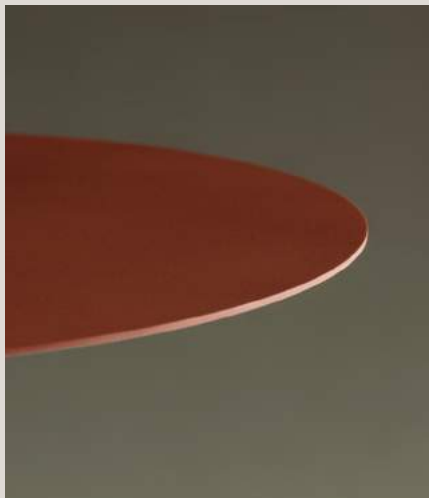
- 13 Grey L1 (NCS S 1000-N)
- 37 Terra Red (NCS S 4040-Y70R)
- 47 Green L1 (NCS S 4005-G80Y)

Shade: Aliminum.  
 Diffuser: Polycarbonate.  
 Structures: Steel.  
 Canopy: Aluminum.

LED 2700 K. CRI>90  
 Dimming: DALI, 1-10V, Push.

**Personalization options available**  
 - LED 4000 K  
 - Extra cable length  
 Ref. 5930.  
 - Dimming: Casambi  
 Request more information.

Upper side of the disc available in:  
 Grey L1, Terra Red y Green L1.







GET THE CATALOGUE AT HOME



The LED-powered collection consists of flat metal plates reflecting light from their surface, casting an enveloping, wraparound glow that appears illuminated from within. The tabletop lamp is available with a compact disc or a shelf-like plate that doubles as furniture, its diminutive proportions lending it an intimate, human sensibility. The light reflects downward, creating a soft luminescence upon the surface on which it rests. A study in geometry, its crisp lines and smooth curves exude sculptural elegance.

Ref. 5965.

- 13 Grey L1 (NCS S 1000-N)
- 47 Green L1 (NCS S 4005-G80Y)

Ref. 5970.

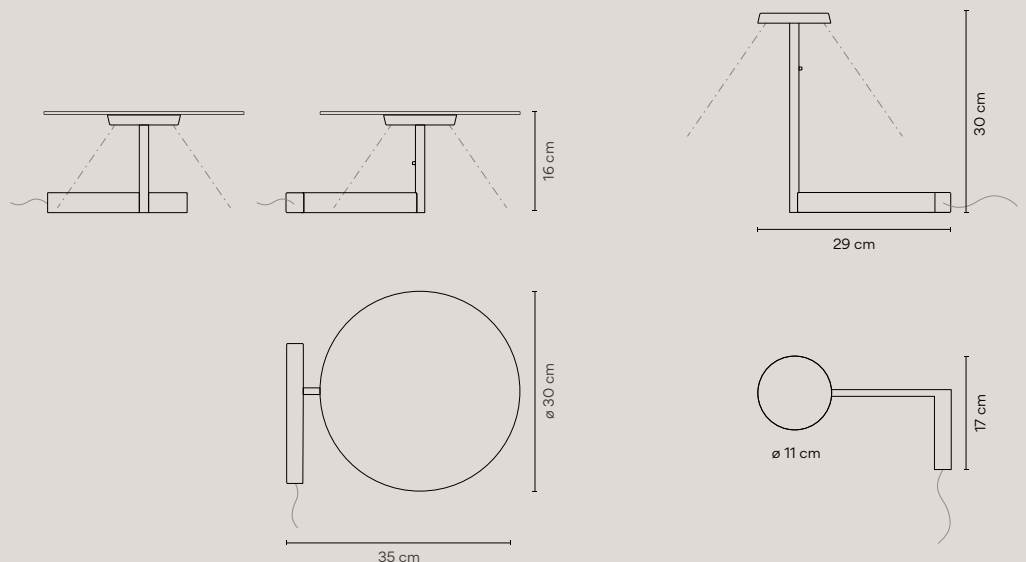
- 11 Black (NCS S 8500-N)
- 37 Terra Red (NCS S 4040-Y70R)
- 47 Green L1 (NCS S 4005-G80Y)

Shade: Aliminum.  
Diffuser: Polycarbonate.  
Structures: Steel.



LED 2700 K. CRI>90  
Dimming: Push.

**Personalization options available**  
- LED 4000 K  
Request more information.



5965

5970



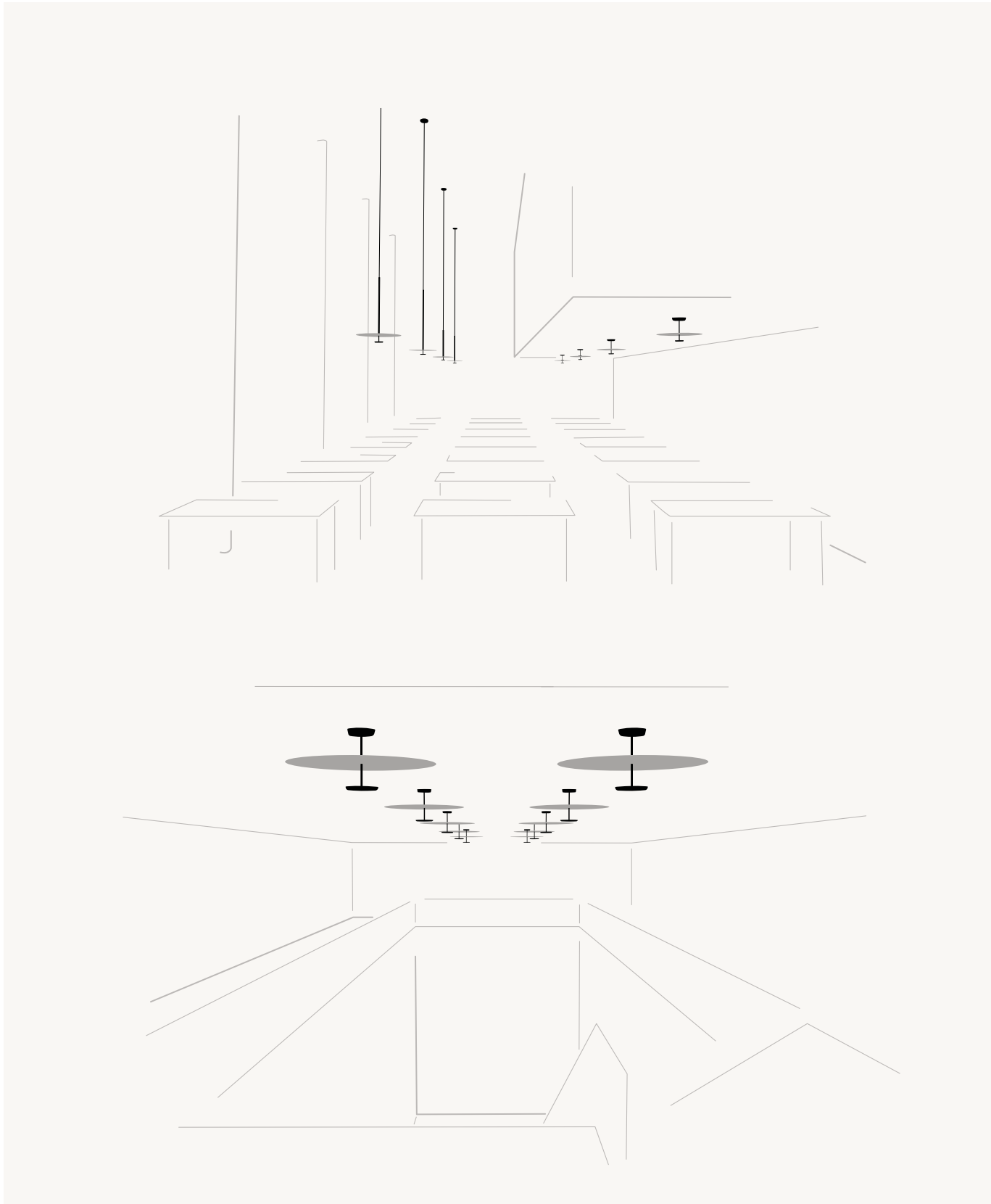








GET THE CATALOGUE AT HOME









The LED-powered collection is composed of flat metal plates positioned at different heights. The plate surfaces reflect light, casting an enveloping, wraparound glow that appears illuminated from within. At once delicate and graphic, the ceiling light seems to float overhead. It comes in small or large sizes with a single or double disc. The single-disc style reflects indirect light up towards the ceiling, while the double disc's smaller, complementary plate captures and reflects light back at the larger disc, creating a pocket of soft, pooled indirect light. A triple-disc version is available for commercial use.

Ref. 5905, 5922.

10 White (NCS S 0300-N)



71 White, Green L1, Grey L1  
(NCS S 0300-N, NCS S 4005-G80Y,  
NCS S 1000-N)

Ref. 5910, Ref. 5924.

10 White (NCS S 0300-N)



72 White, Green L1  
(NCS S 0300-N, NCS S 4005-G80Y)

73 White, Grey L1  
(NCS S 0300-N, NCS S 1000-N)

Ref. 5926, 5915.

10 White (NCS S 0300-N)

Ref. 5920.

10 White (NCS S 0300-N)

13 Grey L1 (NCS S 1000-N)

47 Green L1 (NCS S 4005-G80Y)

Shade: Aliminum.  
Diffuser: Polycarbonate.  
Structures: Steel.  
Canopy: Aluminum.

LED 2700 K. CRI>90  
Dimming: DALI, 1-10V, Push.

\* Electrical connection point.

**Personalization options available**

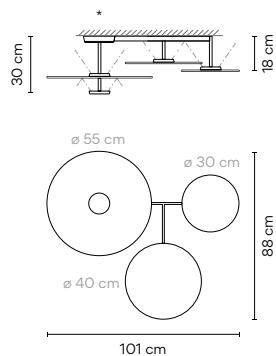
- LED 4000 K

Ref. 5922, 5924.

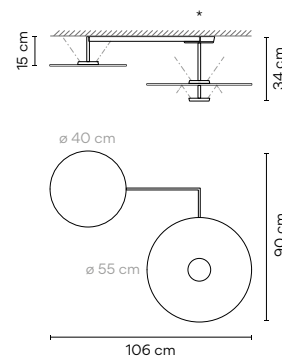
- Dimming: Casambi

Request more information.

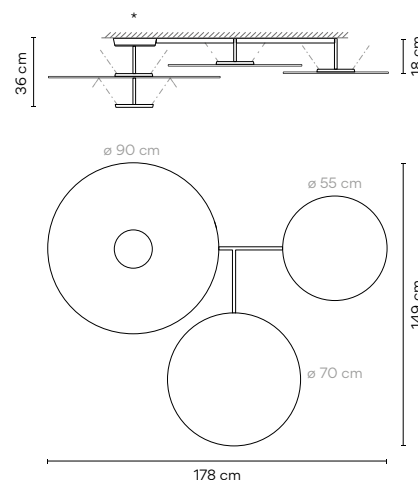
5905



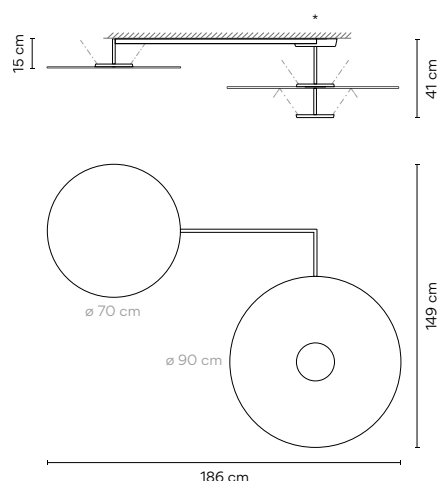
5910



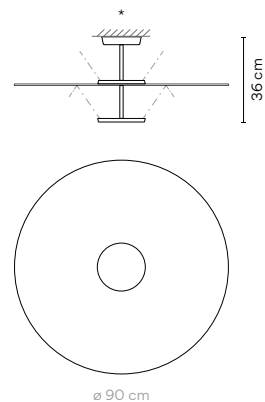
5922



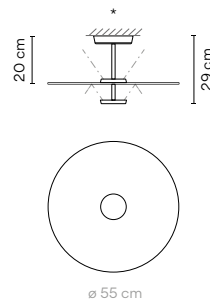
5924



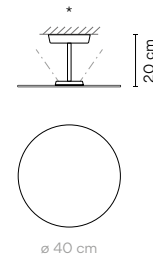
5926



5915



5920



CEILING







“A reflector lamp collection that connects a floating light source with a linear structure. Minimal reflector discs and linear structure provide simple and powerful universality like alphabets and musical scores”.

Ichiro Iwasaki

GET THE CATALOGUE AT HOME



A modern reimagining of the timeless rosette motif, the Top ceiling and wall lights are distilled to its essence. A pair of simple circles creates a focal point of LED-powered light overhead that recalls a bullseye pulsing with a soft glow. Its small, illuminated sphere reflects light back towards the larger one, generating a halo effect of even, indirect light and a soothing ambiance. The ceiling and wall lights are crafted of aluminum and available in mini, small, medium, and large sizes, the latter fitted with a glass diffuser that emits general, direct light.

-  10 White (NCS S 0300-N)
-  36 Soft Pink (NCS S 1010-Y50R)
-  40 Blue L1 (NCS S 3010-B)
-  47 Green L1 (NCS S 4005-G80Y)

Body: Aluminum.

Ref. 1170.

Diffuser: Triplex Opal Glass.

LED 2700 K. CRI>90

Ref. 1155

Dimming: 1-10V, Push.

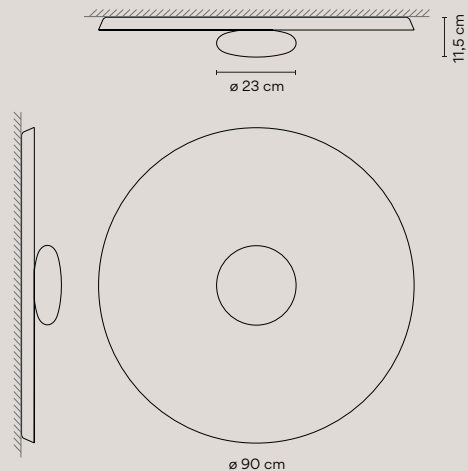
Ref. 1160, 1170

Dimming: 1-10V, DALI, Push.

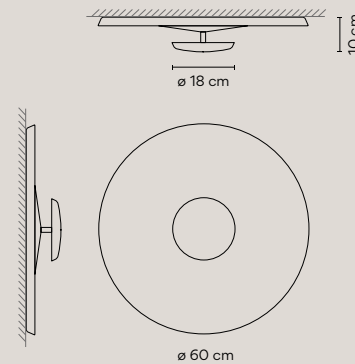
#### Personalization options available

- LED 4000 K
  - Ref. 1155, 1160, 1170. Dimming: Casambi
- Request more information.

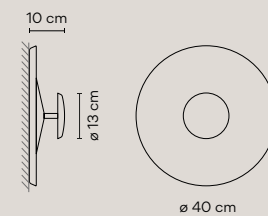
1170



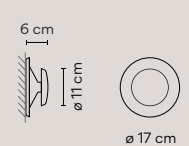
1160



1155



1154



GET THE CATALOGUE AT HOME

# Flat

Design by Ichiro Iwasaki.

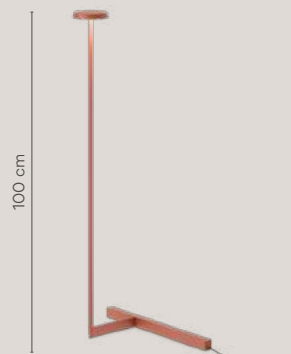
Floor



5945 p. 19



5950 p. 19



5955 p. 19





5957 p. 19

**5945**  
2 x LED PLATE 7W 400mA.  
LED 2700 K. CRI >90. 2400 lm. 171,4 lm/W.  
Driver Constant Voltage 24V. 100-240V. 50/60Hz.  
Dimming: Push.

**Personalization options available**  
- LED 4000 K.  
Request more information.

Shade: Aliminum.  
Diffuser: Polycarbonate.  
Structures: Steel.  
Net Weight 15,85 Kg.

**5945 13 /15** Grey L1 (NCS S 1000-N)   
**5945 47 /15** Green L1 (NCS S 4005-G80Y) 

LED  IP20  CE  Dimmer  A+ 

**5950**  
1 x LED PLATE 7W 400mA.  
LED 2700 K. CRI >90. 1200 lm. 171,4 lm/W.  
Driver Constant Voltage 24V. 100-240V. 50/60Hz.  
Dimming: Push.

**Personalization options available**  
- LED 4000 K.  
Request more information.

Shade: Aliminum.  
Diffuser: Polycarbonate.  
Structures: Steel.  
Net Weight 12,71 Kg.




**5950 10 /15** White (NCS S 0300-N) 

LED  IP20  CE  Dimmer  A+ 

**5955**  
1 x LED PLATE 7W 400mA.  
LED 2700 K. CRI > 90. 1200 lm. 171,4 lm/W.  
Driver Constant Voltage 24V. 100-240V. 50/60Hz.  
Dimming: Push.

**Personalization options available**  
- LED 4000 K.  
Request more information.

Shade: Aliminum.  
Diffuser: Polycarbonate.  
Structures: Steel.  
Net Weight 3,50 Kg.



**5955 11 /15** Black (NCS S 8500-N)   
**5955 37 /15** Terra Red (NCS S 4040-Y70R)   
**5955 47 /15** Green L1 (NCS S 4005-G80Y) 

LED  IP20  CE  Dimmer  A+ 

**5957**  
1 x LED PLATE 7W 400mA.  
LED 2700 K. CRI >90. 1200 lm. 171,4 lm/W.  
Driver Constant Voltage 24V. 100-240V. 50/60Hz.  
Dimming: Push.

**Personalization options available**  
- LED 4000 K.  
Request more information.

Shade: Aliminum.  
Diffuser: Polycarbonate.  
Structures: Steel.  
Net Weight 4,46 Kg.

**5957 13 /15** Grey L1 (NCS S 1000-N)   
**5957 47 /15** Green L1 (NCS S 4005-G80Y) 

LED  IP20  CE  Dimmer  A+ 

Pendants

\* Upper side of the disc available in:  
Grey L1, Terra Red y Green L1.



5935 p. 29



5940 p. 29



5930 p. 29

**5930**  
3 x LED PLATE 25 W 700mA.  
LED 2700 K. CRI >90. 10440 lm. 139,20 lm/W.  
Driver Constant Current 700 mA. 110-240V. 50/60Hz.  
Dimming: DALI, 1-10V, Push.

Personalization options available

- LED 4000 K.
  - Dimming: Casambi.
  - Extra cable length.
- Request more information.

Shade: Aliminum.  
Diffuser: Polycarbonate.  
Structures: Steel.  
Cnopy: Aluminum.  
Net Weight 21,16 Kg.

- 5930 13 /1A Grey L1 (NCS S 1000-N)
- 5930 37 /1A Terra Red (NCS S 4040-Y70R)
- 5930 47 /1A Green L1 (NCS S 4005-G80Y)



**5935**  
1 x LED PLATE 13,5 W 700 mA.  
LED 2700 K. CRI >90. 1740 lm. 128,88 lm/W.  
Driver Constant current 700 mA. 110-240V. 50/60Hz.  
Dimming: DALI, 1-10V, Push.

Personalization options available

- LED 4000 K.
  - Extra cable length.
- Request more information.

Shade: Aliminum.  
Diffuser: Polycarbonate.  
Structures: Steel.  
Cnopy: Aluminum.  
Net Weight 2,71 Kg.

- 5935 13 /1A Grey L1 (NCS S 1000-N)
- 5935 37 /1A Terra Red (NCS S 4040-Y70R)
- 5935 47 /1A Green L1 (NCS S 4005-G80Y)



**5940**  
1 x LED PLATE 13,5 W 700 mA.  
LED 2700 K. CRI >90. 1740 lm. 128,88 lm/W.  
Driver Constant current 700 mA.  
110-240V. 50/60Hz.  
Dimming: DALI, 1-10V, Push.

Personalization options available

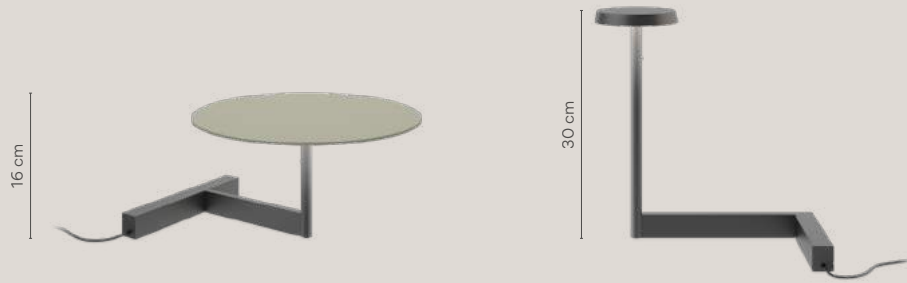
- LED 4000 K.
  - Extra cable length.
- Request more information.

Shade: Aliminum.  
Diffuser: Polycarbonate.  
Structures: Steel.  
Cnopy: Aluminum.  
Net Weight 7,33 Kg.

- 5940 13 /1A Grey L1 (NCS S 1000-N)
- 5940 37 /1A Terra Red (NCS S 4040-Y70R)
- 5940 47 /1A Green L1 (NCS S 4005-G80Y)



Table



5965 p. 33

5970 p. 33

**5965**  
 1 x LED PLATE 7W 400mA.  
 LED 2700 K. CRI >90. 1200 lm. 171,4 lm/W.  
 Driver Constant Voltage 24V. 100-240V. 50/60Hz.  
 Dimming: Push.

**Personalization options available**  
 - LED 4000 K.  
 Request more information.

Shade: Aliminum.  
 Diffuser: Polycarbonate.  
 Structures: Steel.  
 Net Weight 3,11 Kg.

- 5965 13 /15 Grey L1 (NCS S 1000-N) ●
- 5965 47 /15 Green L1 (NCS S 4005-G80Y) ●

LED IP20 CE Dimmer A+

**5970**  
 1 x LED PLATE 7W 400mA.  
 LED 2700 K. CRI >90. 1200 lm. 171,4 lm/W.  
 Driver Constant Voltage 24V.  
 100-240V. 50/60Hz.  
 Dimming: Push.

**Personalization options available**  
 - LED 4000 K.  
 Request more information.

Shade: Aliminum.  
 Diffuser: Polycarbonate.  
 Structures: Steel.  
 Net Weight 1,86 Kg.

- 5970 11 /15 Black (NCS S 8500-N) ●
- 5970 37 /15 Terra Red (NCS S 4040-Y70R) ●
- 5970 47 /15 Green L1 (NCS S 4005-G80Y) ●

LED IP20 CE Dimmer A+

## Ceiling



ø 40 cm

5920 p. 42



ø 55 cm

5915 p. 42



ø 90 cm

5926 p. 42

**5915**

2 x LED PLATE 13,5 W 700mA.  
 LED 2700 K. CRI >90. 3480 lm. 128,88 lm/W.  
 Driver Constant current 700 mA. 110-240V. 50/60Hz.  
 Dimming: DALI, 1-10V, Push.

**Personalization options available**  
 - LED 4000 K.  
 Request more information.

Shade: Aliminum.  
 Diffuser: Polycarbonate.  
 Structures: Steel.  
 Canopy: Aluminum.  
 Net Weight 4,73 Kg.

5915 10 /1A White (NCS S 0300-N)

LED   IP20  CE  Dimmer  A+

**5920**

1 x LED PLATE 13,5 W 700mA.  
 LED 2700 K. CRI >90. 1740 lm. 128,88 lm/W.  
 Driver Constant current 700 mA.  
 110-240V. 50/60Hz.  
 Dimming: DALI, 1-10V, Push.

**Personalization options available**  
 - LED 4000 K.  
 Request more information.

Shade: Aliminum.  
 Diffuser: Polycarbonate.  
 Structures: Steel.  
 Canopy: Aluminum.  
 Net Weight 1,91 Kg.

5920 10 /1A White (NCS S 0300-N)

5920 13 /1A Grey L1 (NCS S 1000-N)

5920 47 /1A Green L1 (NCS S 4005-G80Y)

LED   IP20  CE  Dimmer  A+

**5926**

2 x LED PLATE 25 W 700mA.  
 LED 2700 K. CRI >90. 6960 lm. 139,20 lm/W.  
 Driver Constant Current 700 mA.  
 110-240V. 50/60Hz.  
 Dimming: DALI, 1-10V, Push

**Personalization options available**  
 - LED 4000 K.  
 Request more information.

Shade: Aliminum.  
 Diffuser: Polycarbonate.  
 Structures: Steel.  
 Canopy: Aluminum.  
 Net Weight 10,08 Kg.

5926 10 /1A White (NCS S 0300-N)

LED   IP20  CE  Dimmer  A+

---

Ceiling



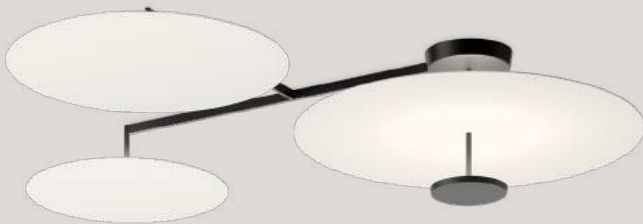
101 x 88 cm

**5905** p. 42



106 x 90 cm

**5910** p. 42



178 x 149 cm

**5922** p. 42



186 x 149 cm

**5924** p. 42

---

## ACKNOWLEDGEMENTS

Project name: DTI Group - Office  
Architecture & Interior Design: VEVS Amsterdam  
(Rob van Sprang - Martijn d'Herripon)  
Photography: Mike Bink  
(page 10, 11)

© Pawel Chu  
(page 21)

Marià Castelló  
@mcastello\_arch  
(page 37, 47, 81, 86)

© Fran Silvestre Arquitectos  
(page 49)

Photography: Toshiyuki Yano  
(page 55)

© Reinhart Julian  
(page 52)

MR.P Studios  
(page 51)

The content of this catalogue may be changed  
or cancelled at the discretion of the VIBIA  
management without prior notice.

Vibia Lighting, S.L.U.

Spain & Portugal T. +34 934 796 970  
International T. +34 934 796 971  
vibia@vibialighting.com  
www.vibia.com





